



# CABLE DREDGES

**DRAGFLOW**  
ULTIMATE EFFICIENCY

**SUBMERSIBLE  
DREDGING PUMPS**



**REMOTE CONTROLLED  
DREDGES**



**AMPHIBIOUS  
DREDGES**



**CABLE  
DREDGES**



## **DRH: Easy to handle and versatile Cable Dredges**

Our Cable dredges (DRH) are successfully used in all those applications where it is necessary to have tools that are manageable and able to work even at great depths.

The small size and modular design allow these dredges to be transported even in remote and difficult to reach locations. Assembly and installation are simple and take only a few hours. These features help to reduce project start-up times and costs.

Our DRH dredges are simple to use: thanks to intuitive controls, they can be managed by a single operator on board.

Available in different versions (with the possibility of hydraulic or electrical power supply), they can be equipped with a wide range of pumps and accessories to perform even in the most difficult situations. The largest model can provide a flow rate of up to 4000 m<sup>3</sup>/h.

The limited draft and the possibility of rapidly obtaining naval certifications are additional points of strength because they allow DRH to operate in very varied contexts, from artificial ponds to ports, from dams to mining basins.





# Main features

- **Easy** to use
- **High productivity**
- Possibility of **working at high depth** with a small hull
- **Maximum flexibility:** each dredge can be equipped with different pump models and numerous accessories
- **Limited draft**
- **Fast delivery times**
- **Speed and cost-effectiveness of transport** thanks to the modular design
- Extremely **fast assembly** and start-up **times**

# Main applications

- Cleaning of **canals and rivers**
- Dredging of **ports and marinas**
- Desilting industrial **artificial lakes**
- Dredging of **dam reservoirs**
- Emptying of **mineral tailing ponds**
- Filling of **geotubes**
- Cleaning of **reservoirs** in the food industry
- Removal of **sludge** from industrial or mining processes



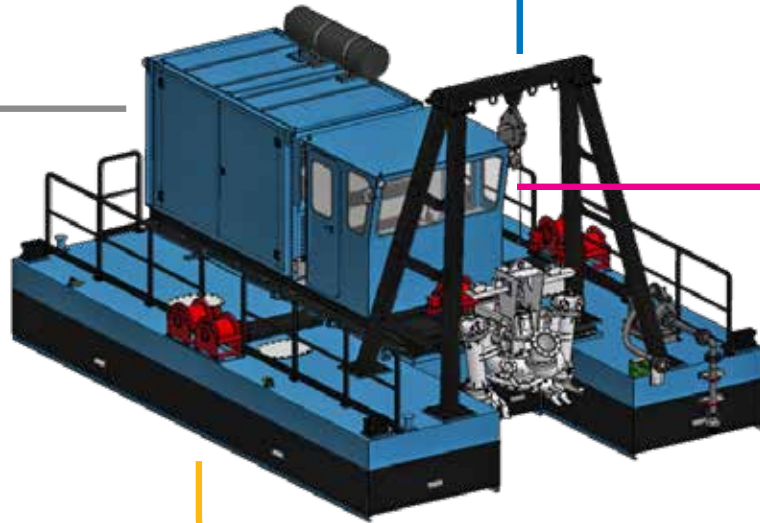
**Our line of cable dredges is also available in automatic version.**



# DRH85 | DRH85/160

[hydraulic pump]

electric or diesel power unit



## Hydraulic hoist

- Manages the descent and ascent of the pump
- Depth meter



## Operator's cabin

- Command and control panel
- Heating and air conditioning
- Ergonomic seat for the operator
- Safety equipment



## Power unit

- Soundproof cabin
- Diesel engine or electric motors
- Oil pumps

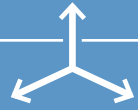
## Winches (x4)

- To move the dredge
- Steel cables up to 210 m
- Possibility of additional propeller for movement

## Hull

- Two pontoons 8x1.8x1.25 m with central hull
- Low draft





### DRH DIMENSIONS SET UP

Length	8 m
Width	6 m
Height	5 m
Weight	30 ton



### TRANSPORT

Transportable in 4 containers 40'.



### MODULAR DESIGN

**Dimensions** Two pontoons 8x1,8x1,25 m with central hull.

**Draft** 60 cm



### RANGE OF DREDGING PUMPS

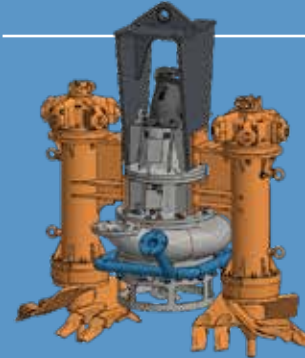
**HY85** MAX FLOW RATE [m<sup>3</sup>/h]: 500  
MAX PUMPING DISTANCE [m]: 800  
DISCHARGE DIAMETER: DN150  
MAX SOLID PASSAGE: 60 mm

**HY85HC** MAX FLOW RATE [m<sup>3</sup>/h]: 1000  
MAX PUMPING DISTANCE [m]: 500  
DISCHARGE DIAMETER: DN250  
MAX SOLID PASSAGE: 90 mm

**HY85/160** MAX FLOW RATE [m<sup>3</sup>/h]: 600  
MAX PUMPING DISTANCE [m]: 1500  
DISCHARGE DIAMETER: DN250  
MAX SOLID PASSAGE: 60 mm

**HY85/160HC** MAX FLOW RATE [m<sup>3</sup>/h]: 1000  
MAX PUMPING DISTANCE [m]: 700  
DISCHARGE DIAMETER: DN250  
MAX SOLID PASSAGE: 90 mm

*Performance will depend on the actual site conditions and duty point.*



### ACCESSORIES

#### Excavators

- Motor power: 14.5 kW
- Replaceable teeth
- Hydraulic motor with radial pistons
- Oil flow rate: 35 l/min each
- Weight : 500 kg
- Speed: 50 r.p.m.
- Torque: 2.6 kNm
- Rotation in both directions

#### Integrated jet ring system

- Thanks to the high-pressure water jets, it allows to disintegrate the material and have a higher concentration of solids in the mixture
- Flow rate: 60-200 m<sup>3</sup>/h
- Pressure: 6-7 bar
- Power supply: high pressure horizontal pump

#### Propeller

- To move and rotate the dredge
- Hydraulic driven
- Maneuverable from the cabin

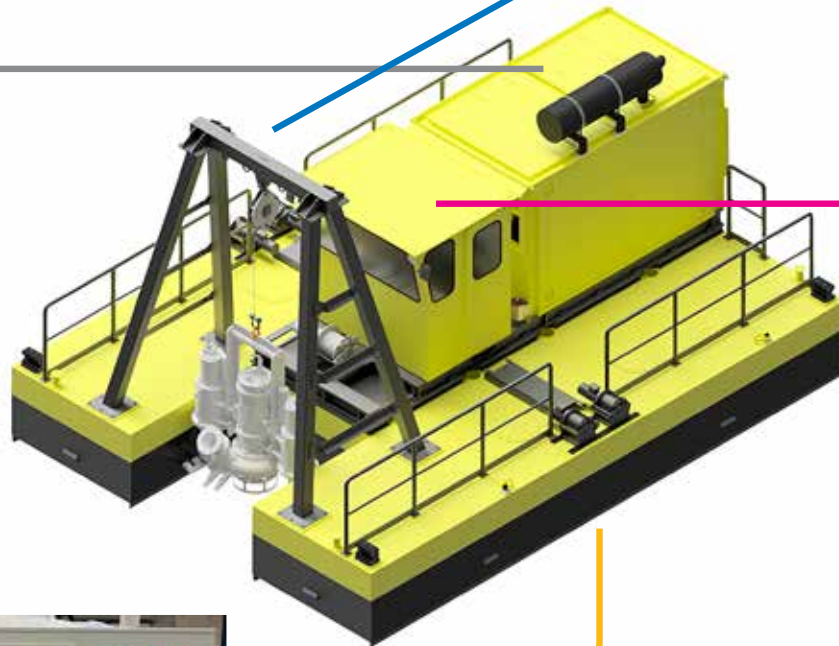
ACCESSORIES	STANDARD	FULL OPTIONAL	HIGH DEPTH
Winches	✓	✓	✓
Hoist	✓	✓	✓
Operator's cabin	✓	✓	✓
Control panel	✓	✓	✓
Depth meter	✓	✓	✓
GPS		✓	✓
Propeller		✓	✓
Hose reel		✓	✓
Bathymetry system		✓	✓
Pressure compensator			✓

# DRH85 | DRH85/160

# DRH85e | DRH 85/160e

[electric pump]

generator and/or transformer set



## Electric hoist

- Manages the descent and ascent of the pump
- Depth meter



## Operator's cabin

- Command and control panel
- Heating and air conditioning
- Ergonomic seat for the operator
- Safety equipment



## Generator and/or transformer set

- Soundproof cabin
- Diesel engines

## Winches (x4)

- To move the dredge
- Steel cables up to 210 m
- Possibility of additional propeller for movement

## Hull

- Two pontoons 8x1.8x1.25 m with central hull
- Low draft

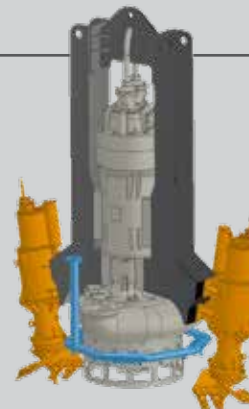


## RANGE OF DREDGING PUMPS

Performance depends on the actual site conditions and duty point.

- EL60\*** MAX FLOW RATE [m<sup>3</sup>/h]: 500  
 MAX PUMPING DISTANCE [m]: 500  
 DISCHARGE DIAMETER: DN150  
 MAX SOLID PASSAGE: 60 mm
- EL60HC\*** MAX FLOW RATE [m<sup>3</sup>/h]: 700  
 MAX PUMPING DISTANCE [m]: 300  
 DISCHARGE DIAMETER: DN250  
 MAX SOLID PASSAGE: 90 mm
- EL1204\*** MAX FLOW RATE [m<sup>3</sup>/h]: 600  
 MAX PUMPING DISTANCE [m]: 1000  
 DISCHARGE DIAMETER: DN150  
 MAX SOLID PASSAGE: 60 mm
- EL1204HC\***  
 MAX FLOW RATE [m<sup>3</sup>/h]: 700  
 MAX PUMPING DISTANCE [m]: 500  
 DISCHARGE DIAMETER: DN250  
 MAX SOLID PASSAGE: 90 mm

\* = can mount side excavators



## ACCESSORIES

### Excavators

- Motor power: 9 kW
- Replaceable teeth
- Electric motor
- Weight: 800 kg
- Speed: 25 r.p.m.
- Torque: 3,2 kNm
- Rotation in both directions

### Integrated jet ring system

- Thanks to high pressure water jets, allows to disintegrate the material and have a higher concentration of solid in the mixture
- Flow rate: 60-200 m<sup>3</sup>/h
- Pressure: 6-7 bar
- Power supply: high pressure horizontal pump

### Propeller

- To move and rotate the dredge
- Hydraulic driven
- Maneuverable from the cabin

THE SAME HULL OF THE MODELS DRH85 AND DRH85/160 CAN BE EQUIPPED WITH ELECTRIC GENSET AND ELECTRIC PUMPS

### ZERO-EMISSION DREDGER:

WHEN ELECTRICITY IS SUPPLIED FROM A LOCAL RENEWABLE SOURCE

ACCESSORIES	STANDARD	FULL OPTIONAL	HIGH DEPTH
Winches	✓	✓	✓
Hoist	✓	✓	✓
Operator's cabin	✓	✓	✓
Control panel	✓	✓	✓
Depth meter	✓	✓	✓
GPS		✓	✓
Propeller		✓	✓
Hose reel		✓	✓
Bathymetry system		✓	✓
Pressure compensator			✓

DRH85e | DRH 85/160e

# DRH300 | DRH400 | DRH600

[hydraulic pump]

powerpack with diesel or electric motor



## Hydraulic hoist

- Manages the descent and ascent of the pump
- Depth meter



## Operator's cabin

- Command and control panel
- Heating and air conditioning
- Ergonomic seat for the operator
- Safety equipment



## Power unit

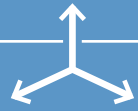
- Soundproof cabin
- Diesel or electric motors
- Oil pumps

## Winches (x4)

- To move the dredge
- Steel cables up to 210 m
- Possibility of additional propeller for movement

## Hull

- Two pontoons 11.5x1.8x1.8 m and central frame
- Low draft



### DRH DIMENSIONS SET UP

Length	11.5 m
Width	8 m
Height	7.5 m
Weight	45/60 ton



### TRANSPORT

Transportable in 5 containers 40'.



### MODULAR DESIGN

<b>Dimensions</b>	Two pontoons 11.5x1.8x1.8 m and central frame.
<b>Draft</b>	80-90 cm



### RANGE OF DREDGING PUMPS

<b>HY300</b>	MAX FLOW RATE [m <sup>3</sup> /h]: 2000 MAX PUMPING DISTANCE [m]: 1000 DISCHARGE DIAMETER: DN250 MAX SOLID PASSAGE: 120 mm
<b>HY400</b>	MAX FLOW RATE [m <sup>3</sup> /h]: 2000 MAX PUMPING DISTANCE [m]: 2000 DISCHARGE DIAMETER: DN300-350 MAX SOLID PASSAGE: 120 mm
<b>HY400HC</b>	MAX FLOW RATE [m <sup>3</sup> /h]: 3000 MAX PUMPING DISTANCE [m]: 1000 DISCHARGE DIAMETER: DN450 MAX SOLID PASSAGE: 120 mm
<b>HY600</b>	MAX FLOW RATE [m <sup>3</sup> /h]: 2500 MAX PUMPING DISTANCE [m]: 3000 DISCHARGE DIAMETER: DN350-400 MAX SOLID PASSAGE: 120 mm
<b>HY600HC</b>	MAX FLOW RATE [m <sup>3</sup> /h]: 4000 MAX PUMPING DISTANCE [m]: 1000 DISCHARGE DIAMETER: DN450 MAX SOLID PASSAGE: 120 mm

Performance depends on actual site conditions and duty point



### ACCESSORIES

#### Excavators

- Motor power: 25 kW
- Replaceable teeth
- Hydraulic motor with radial pistons
- Oil flow rate: 60 l/min each
- Weight : 600 kg
- Speed: 50 r.p.m.
- Torque: 4.5 kNm
- Rotation in both directions

#### Integrated jet ring system

- Thanks to the high-pressure water jets, it allows to disintegrate the material and have a higher concentration of solid in the mixture
- Flow rate: 100-200 m<sup>3</sup>/h
- Pressure: 6-7 bar
- Power supply: high pressure horizontal pump

#### Propeller

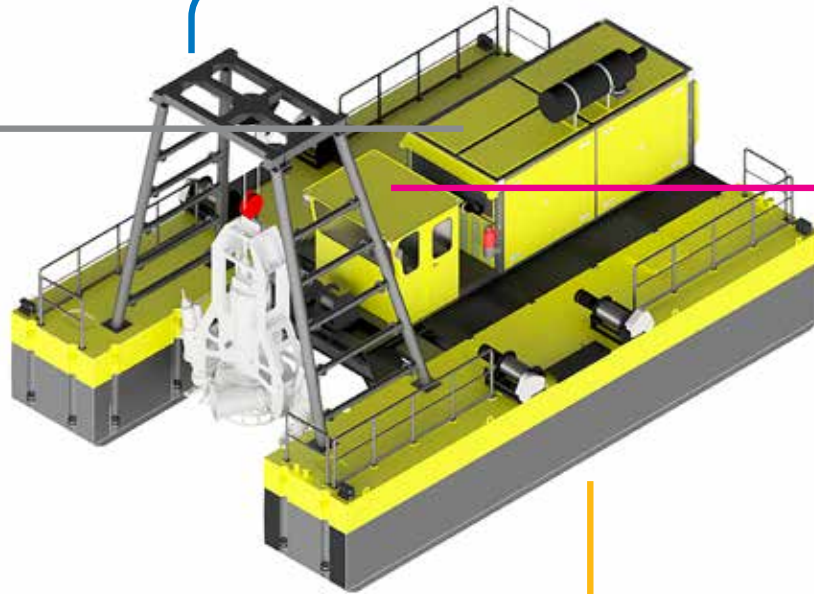
- To move and rotate the dredge
- Hydraulic driven
- Maneuverable from the cabin

ACCESSORIES	STANDARD	FULL OPTIONAL	HIGH DEPTH
Winches	✓	✓	✓
Hoist	✓	✓	✓
Operator's cabin	✓	✓	✓
Control panel	✓	✓	✓
Depth meter	✓	✓	✓
GPS		✓	✓
Propeller		✓	✓
Hose reel		✓	✓
Bathymetry system		✓	✓
Pressure compensator			✓

# DRH300 | DRH400 | DRH600

# DRH300e

[electric pump]



## Electric hoist

- Manages the descent and ascent of the pump
- Depth meter



## Operator's cabin

- Command and control panel
- Heating and air conditioning
- Ergonomic seat for the operator
- Safety equipment



## Generator or transformer set

- Soundproof cabin
- Diesel engines

## Winches (x4)

- To move the dredge
- Steel cables up to 210 m
- Possibility of additional propeller for movement

## Hull

- Two pontoons 11,5x1,8x1,8 m with a central frame
- Low draft

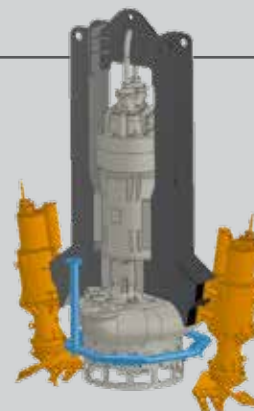


## RANGE OF DREDGING PUMPS

Performance depends on the actual site conditions and duty point.

- EL110\*** MAX FLOW RATE [m<sup>3</sup>/h]: 600  
MAX PUMPING DISTANCE [m]: 1000  
DISCHARGE DIAMETER: DN200  
MAX SOLID PASSAGE: 60 mm
- EL150\*** MAX FLOW RATE [m<sup>3</sup>/h]: 1700  
MAX PUMPING DISTANCE [m]: 600  
DISCHARGE DIAMETER: DN250  
MAX SOLID PASSAGE: 120 mm
- EL180\*** MAX FLOW RATE [m<sup>3</sup>/h]: 1000  
MAX PUMPING DISTANCE [m]: 900  
DISCHARGE DIAMETER: DN200-250  
MAX SOLID PASSAGE: 60 mm
- EL300\*** MAX FLOW RATE [m<sup>3</sup>/h]: 2000  
MAX PUMPING DISTANCE [m]: 1000  
DISCHARGE DIAMETER: DN250  
MAX SOLID PASSAGE: 120 mm
- EL300HC** MAX FLOW RATE [m<sup>3</sup>/h]: 3000  
MAX PUMPING DISTANCE [m]: 700  
DISCHARGE DIAMETER: DN450  
MAX SOLID PASSAGE: 120 mm

\* = can mount side excavators



## ACCESSORIES

### Excavators

- Motor power: 9 kW
- Replaceable teeth
- Electric motor
- Weight: 800 kg
- Speed: 25 r.p.m.
- Torque: 3,2 kNm
- Rotation in both directions

### Integrated jet ring system

- Thanks to high pressure water jets, allows to disintegrate the material and have a higher concentration of solid in the mixture
- Flow rate: 60-200 m<sup>3</sup>/h
- Pressure: 6-7 bar
- Power supply: high pressure horizontal pump

### Propeller

- To move and rotate the dredge
- Hydraulic driven
- Maneuverable from the cabin

ACCESSORIES	STANDARD	FULL OPTIONAL	HIGH DEPTH
Winches	✓	✓	✓
Hoist	✓	✓	✓
Operator's cabin	✓	✓	✓
Control panel	✓	✓	✓
Depth meter	✓	✓	✓
GPS		✓	✓
Propeller		✓	✓
Hose reel		✓	✓
Bathymetry system		✓	✓
Pressure compensator			✓

THE SAME HULL OF MODELS DRH300, DRH400 AND DRH600 CAN BE EQUIPPED WITH ELECTRIC GENSET AND ELECTRIC PUMPS

### ZERO-EMISSION DREDGER:

WHEN ELECTRICITY IS SUPPLIED FROM A LOCAL RENEWABLE SOURCE

**DRH300e**

# Dragflow monitoring system

Dragflow has developed a monitoring system for the full range of dredges that allows operators and project managers to keep track of key indicators of a project such as placement, area coverage, and more. The information is collected by a series of sensors on board and saved on a cloud-based system accessible to operators on the dredges and offsite project managers. This telemetry package also allows remote diagnosis and downtime prevention that greatly increases efficiency of the overall dredging operation.

The Dragflow monitoring system is customized for each application and can include following accessories:

## Positioning and Bathymetry

- **GPS System:** precise mapping and positioning within the dredging area for effective coverage and better planning. The system can be combined with sensors such as Encoder pulley, flow meter, densimeter and more for data crossing.
- **Echosounder:** the serial interface can connect to the GPS system via RS232 communication, and elaborate georeferenced maps, useful to make the work more easy and accurate.

## Work parameters

- **Flowmeter:** the electromagnetic flow meter provides flow measurements in real time for the operator. In combination with the densimeter, it is possible to quantify the volume of material actually removed.
- **Density meter:** provides real-time density measurements in the discharge pipe for all types of solids. The meter uses ultrasonic technology to measure density and it is specifically designed for dredging and mineral applications.

## Working depth meter

In order to determine the location of the dredging pump during operations, depending on the application Dragflow dredges can be equipped with encoder pulleys or piezoresistive transducers to provide real-time information to the operator.



**FLOWMETER**





**DREDGING APPLICATIONS:**

**PORT  
DREDGING**





**DREDGING APPLICATIONS:**

**PORT  
DREDGING**

**MINING APPLICATIONS:**

**DREDGING  
IN MINING DAM**





**DREDGING APPLICATIONS:**

**SAND  
EXTRACTION**

**DREDGING APPLICATIONS:**

**DREDGING  
IN DAM**





**DRAGFLOW**  
PUMPING THE IMPOSSIBLE  
www.dragflow.it info@dragflow.it

**DRAGFLOW**  
PUMPING THE IMPOSSIBLE

**DREDGING APPLICATIONS:**

**PORT  
DREDGING**

**DREDGING APPLICATIONS:**

**SAND  
EXTRACTION**







**MINING APPLICATIONS:**

**DREDGING  
IN MINING DAM**





**Dragflow S.r.l.**

**Head Office**

Via Paesa  
46048 Roverbella (MN) - Italy  
tel. +39 0376 1685400  
fax +39 0376 1685499  
info@dragflow.it  
www.dragflowpumps.com





**Dragflow S.r.l.**  
Head Office  
Via Paesa  
46048 Roverbella (MN) - Italy  
tel. +39 0376 1685400  
fax +39 0376 1685499  
info@dragflow.it  
www.dragflowpumps.com

