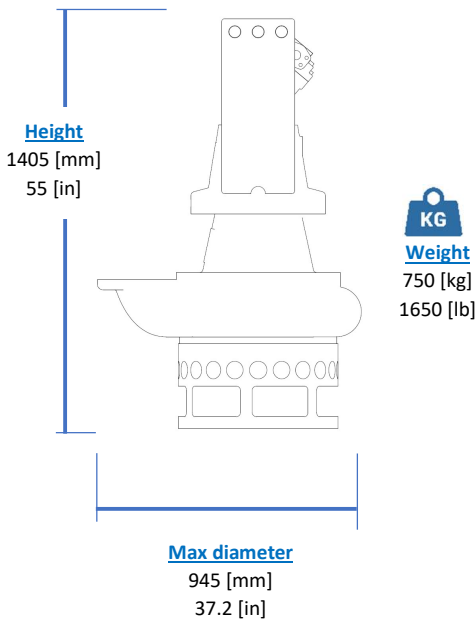
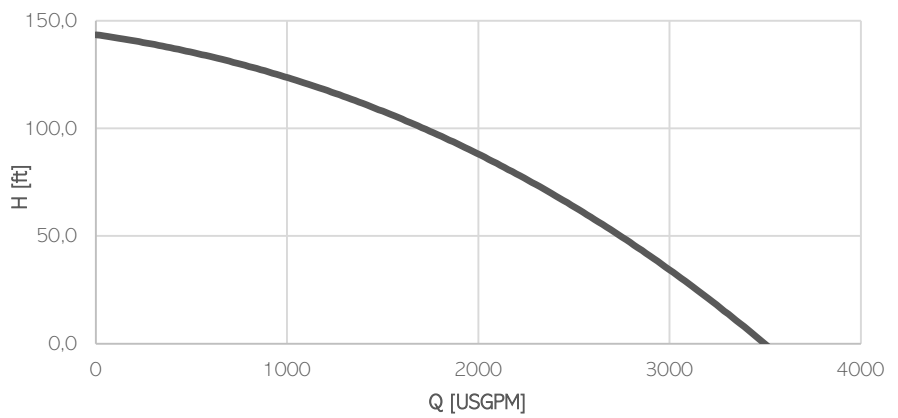
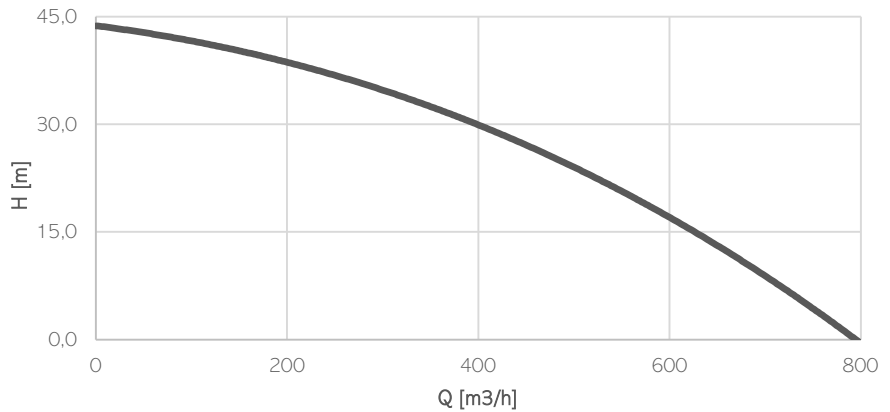


# HYDRAULIC PUMP HY85



Model	HY85
Brake Power [kW HP]	65   87
Efficiency [%]	51
RPM Max	1180
Motor Displacement [cc]	107
Oil flow rate max [l/min]	130
Nominal pressure [bar]	300
Max pressure [bar]	350
Solid handling [mm in]	60   2.4
Discharge [DN PN]	150   PN10

### Materials

Part	Standard
Casing	Cast Iron EN-GJS500
Body	Cast Iron EN-GJL250
Wear Parts	High chrome EN-GJN-HV600 (CH6)
Minimum hardness [HB]	550
Main shaft	High tensile 39NiCrMo3
PH Range	5-10

### Seals and lubricants

Version	HY85	MG	MS
Motor Side	LIPS	MECHANICAL	MECHANICAL
Impeller Side	LIPS	LIPS	MECHANICAL
Oil type	EP320	ISO32	ISO32

### Ports

- | Service line Ports: SAE J518 1 1/4in
- | Case drain Port: DIN3852 M18x1,5

### Operating Conditions

- | Max liquid temperature 40°C
- | Min Submersion depth 440mm