

# Electric pump

## EL1204UHH

### PUMP SPECIFICATIONS

Max Capacity [m <sup>3</sup> /h - USGPM]	270 - 1200
Max Head [m - ft]	132 - 430
Impeller diameter [mm - in]/type	515 - 20 /3 blades closed
Flanged bore size [DN/PN - in]	DN100/PN10 - 4
Solid handling [mm - in]	20 - 1
Weight [kg - lb]	- - -

### ELECTRIC MOTOR

Power [kW - HP]	140 - 188
Voltage [V]/Current [A]	460 / 220
Phases/Poles/Frequency [Hz]	3 / 4 / 60
Speed [RPM]	1750
Insulation class	H
Power cable 20 m (IEC 60245-4)	2 x HORN-F 4G50

### MATERIALS

Casing	High chrome EN-GJN-HV600 (XCr18) (EN12513)
Motor housing	S355J2 EN10027-1
Wear parts	High chrome EN-GJN-HV600 (XCr18) (EN12513)
Main shaft	High tensile steel 39NiCroMo3 (AISI 9840)

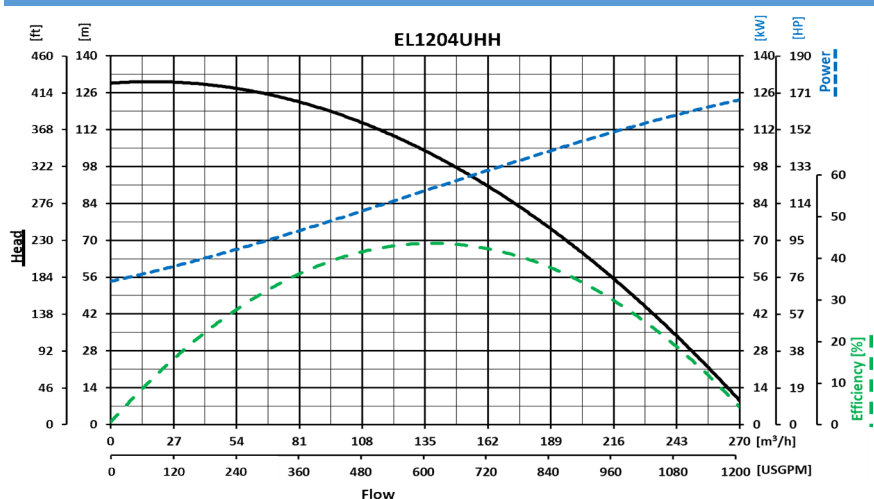
### SEALS / LUBRICANT

Motor side seals	1 mechanical seal (silicon carbide in oil bath)
Impeller side seals	3 lips seals (BUNA) +1 V-ring (TPU)
Oil type	ISO 32

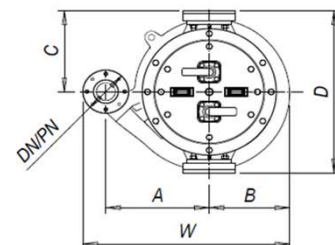
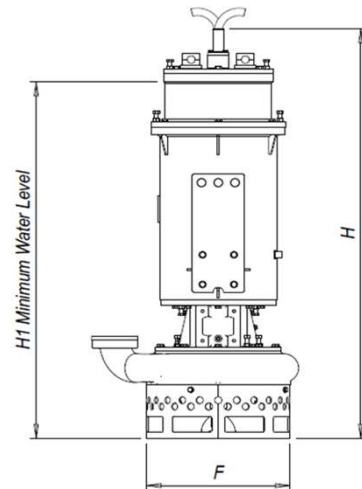
### DIMENSIONS [in]

H	W	D	F	H1	A	B	C
83	39	33	27	75	18	16	16

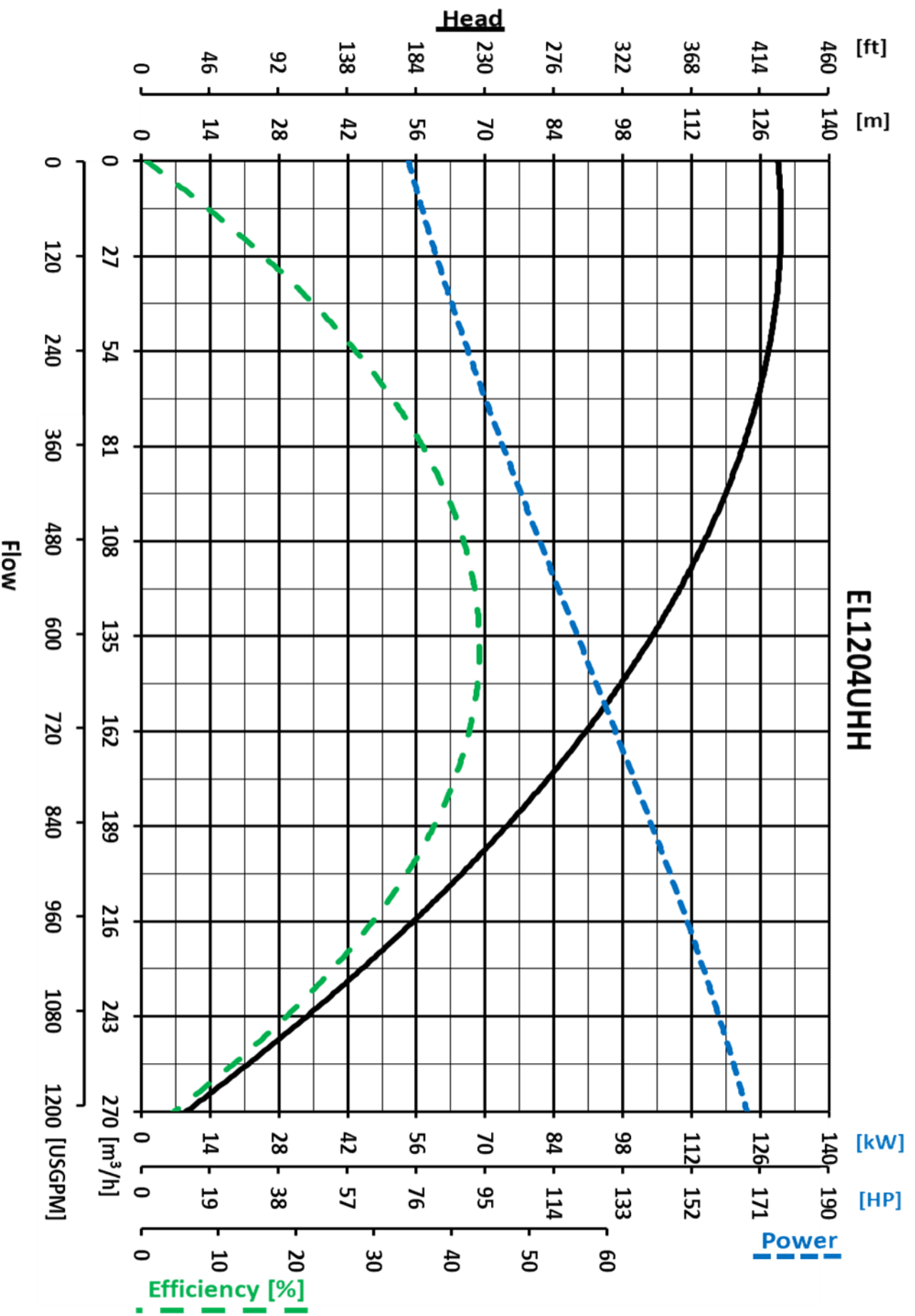
### PERFORMANCE CURVES



We reserve the right to make changes without notice



# EL1204UHH



We reserve the right to make changes without notice