

Electric pump

EL354SMGA/B

| PUMP SPECIFICATIONS | Mod. A | Mod. B |
|---------------------------------|---------------------|------------|
| Capacity [m ³ /h] | 60 | 120 |
| Head [m] | 46 | 39 |
| Impeller diameter [mm]/type | 400/2 blades closed | |
| Flanged bore size [DN.../PN...] | DN100/PN10 | DN150/PN10 |
| Cross section diameter [mm] | 35 | |
| Weight (without cable) [kg] | 950 | 965 |

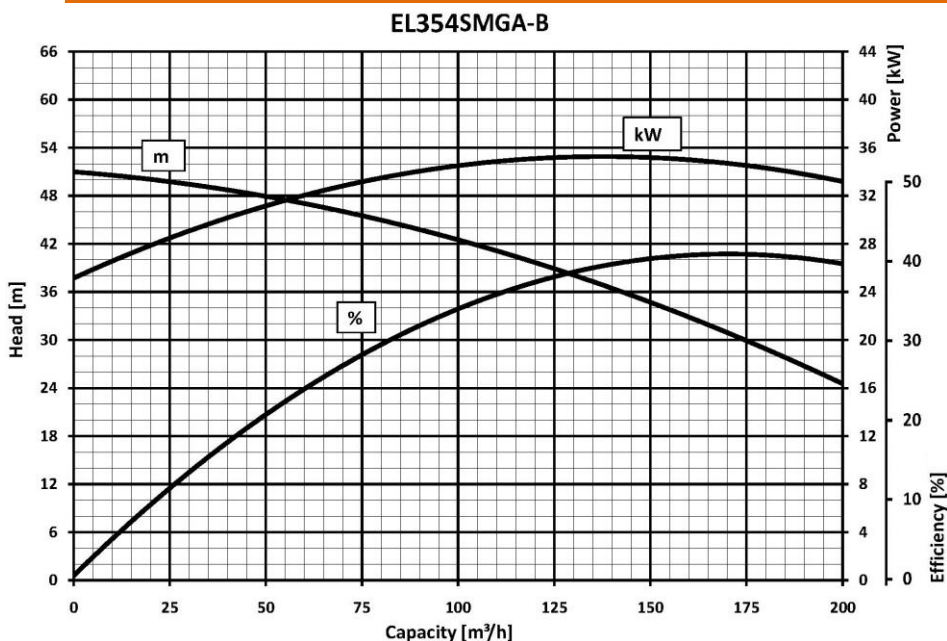
| ELECTRIC MOTOR | |
|--------------------------------|--------------|
| Power [kW-HP] | 44-60 |
| Voltage [V]/Current [A] | 400/78 |
| Phases/Poles/Frequency [Hz] | 3/4/50 |
| Speed [RPM] | 1450 |
| Insulation class | H |
| Power cable 20m (IEC 60245- 4) | H07RN-F 4G35 |

| MATERIALS | |
|---------------|---|
| Casing | Spheroidal cast iron EN-GJS-800-2 (EN 1563) |
| Motor housing | Cast iron EN-GJL-250 (EN 1561) |
| Wear parts | High chrome EN-GJN-HV600 (XCr18) (EN 12513) |
| Main shaft | High tensile steel 39NiCrMo3 (AISI 9840) |

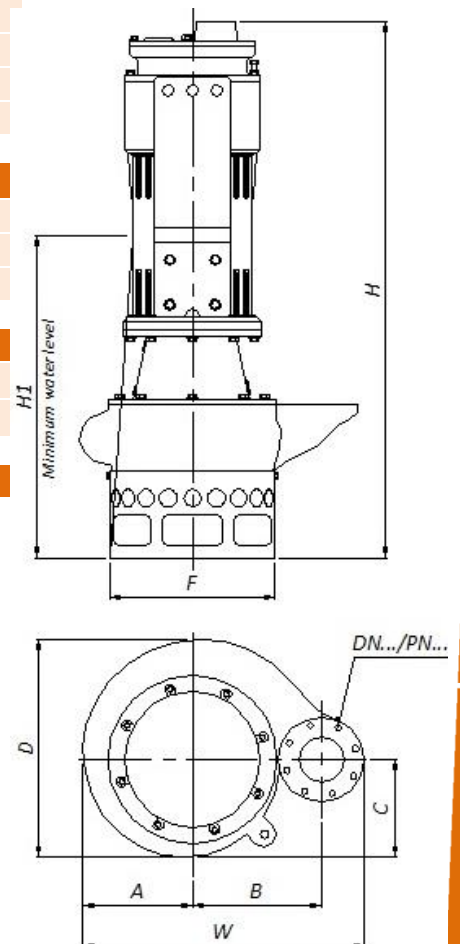
| SEALS / LUBRICANT | |
|---------------------|-------------------------------------|
| Motor side seals | 1 mechanical seal |
| Impeller side seals | 3 lip seals (BUNA) + 1 V-RING (TPU) |
| Oil type | ISO 320 |

| DIMENSIONS [mm] | | | | | | | |
|-----------------|-----|-----|-----|-----|-----|-----|-----|
| H | W | D | F | H1 | A | B | C |
| 1445 | 910 | 750 | 600 | 955 | 380 | 420 | 350 |

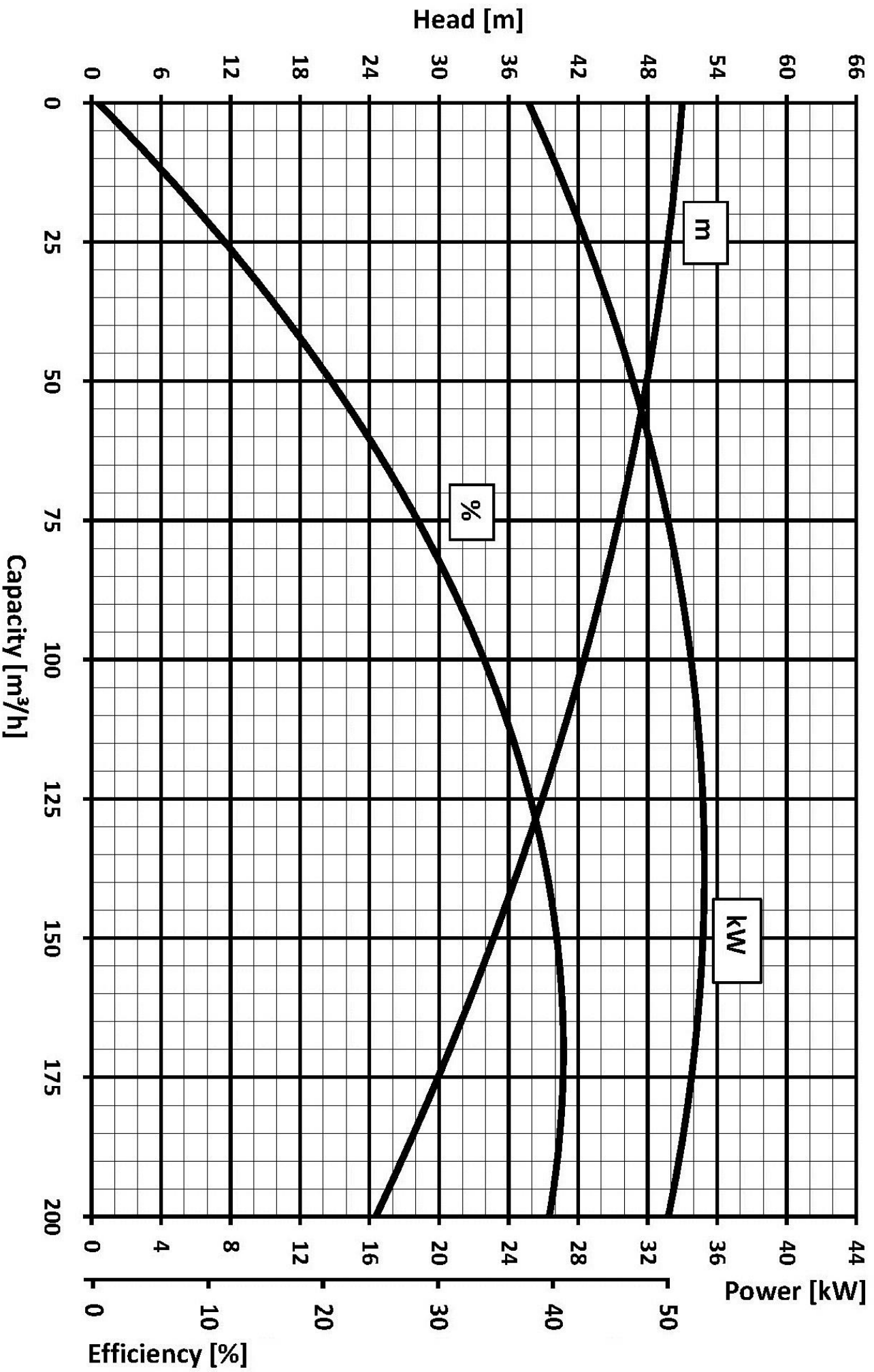
PERFORMANCE CURVES



We reserve the right to make changes without notice



EL354SMGA-B



We reserve the right to make changes without notice