

Electric pump

EL60 RI

Available with Chopper and Agitator

PUMP SPECIFICATIONS

Capacity [m ³ /h]	100
Head [m]	24
Impeller diameter [mm]/type	356/3 blades closed
Flanged bore size [DN.../PN...]	DN150/PN10
Cross section diameter [mm]	100
Weight (without cable) [kg]	815

ELECTRIC MOTOR

Power [kW-HP]	44-60
Voltage [V]/Current [A]	400/78
Phases/Poles/Frequency [Hz]	3/4/50
Speed [RPM]	1450
Insulation class	H
Power cable 20m (IEC 60245- 4)	H07RN-F 4G35

MATERIALS

Casing	Spheroidal cast iron EN-GJS-500-7 (EN 1563)
Motor housing	Cast iron EN-GJL-250 (EN 1561)
Wear parts	High chrome EN-GJN-HV600 (XCr18) (EN 12513)
Main shaft	High tensile steel 39NiCrMo3 (AISI 9840)

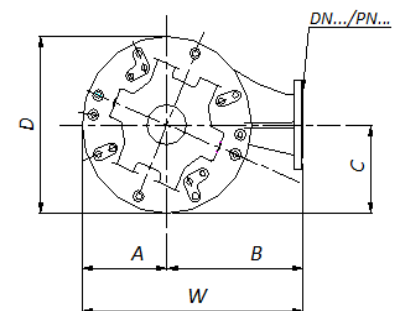
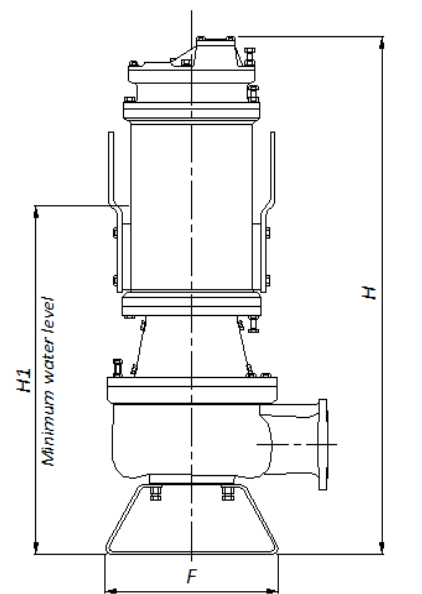
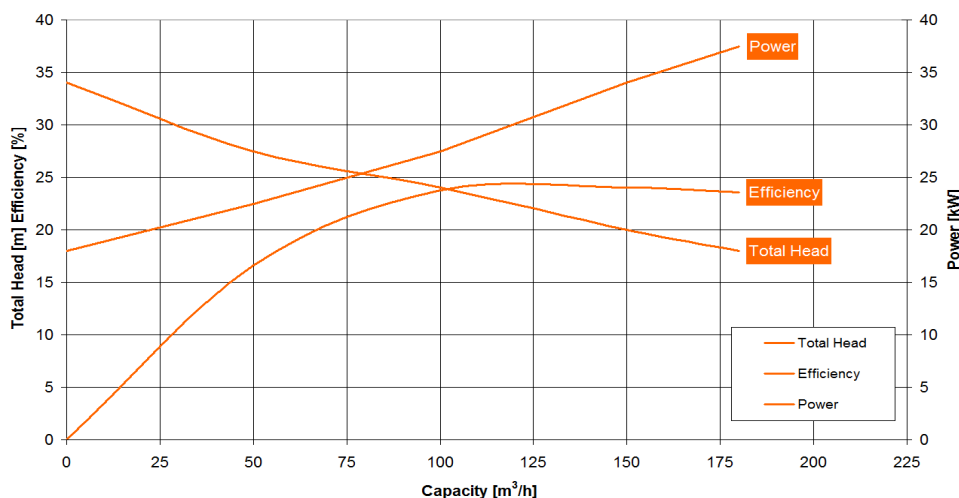
SEALS / LUBRICANT

Motor side seals	2 lip seals (BUNA)
Impeller side seals	5 lip seals (3 BUNA + 2 PTFE) + 1 V-RING (TPU)
Oil type	ISO 320

DIMENSIONS [mm]

H	W	D	F	H1	A	B	C
1640	730	562	570	1080	280	450	280

PERFORMANCE CURVES



We reserve the right to make changes without notice

EL60 RI 50Hz ENG v01

DRAGFLOW
ULTIMATE EFFICIENCY